

## 1001 Bronze Globe Valve (Screwed)

### Salient Features

- Screwed Female Ends to IS 554 / BS 21 / ISO 7.
- Screwed in Bonnet, Inside Screw, Rising Stem, Integral Seat.
- Designed sheet metal handwheel for a firm grip and convenient operation.
- Premium Quality PTFE Gland Packing.
- Medium Pattern.

Test Pressure (Hydrostatic) :  
Shell : 20 kg/cm<sup>2</sup>g (285 psig)  
Seat : 13.50 kg/cm<sup>2</sup>g (192 psig)  
Maximum Working Temperature : 225°C

### Suitable For

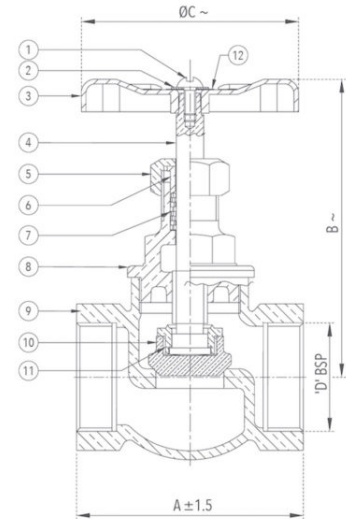
Water, Oil, Air\*, Gases\*

\*Also available with PTFE Seating for Air and Gas applications, at a nominal extra price.



### Materials

P.No.	Name of Part	Material of Construction	Specification	Quantity
1	Screw / Bolt	Carbon Steel (Zinc Plated)	---	1
2	Washer	Carbon Steel (Zinc Plated)	---	1
3	Handwheel	Sheet Metal (Powder Coated)	---	1
4	Stem	Forged Brass	IS 6912 Gr. FLB	1
5	Gland Nut	Forged Brass	IS 6912 Gr. FLB	1
6	Gland	Forged Brass	IS 6912 Gr. FLB	1
7	Gland Packing	PTFE	---	-
8	Bonnet	Bronze	IS 318 Gr. LTB2	1
9	Body	Bronze	IS 318 Gr. LTB2	1
10	Disc	Bronze	IS 318 Gr. LTB2	1
11	Disc Nut	Bronze	IS 318 Gr. LTB2	1
12	Name Plate	Aluminium	---	1



### Sizes / Dimensions

Size (Inches)	Size (mm)	A ±1.5	B ~	ØC ~	D
1/4	8	33	60	50	1/4"
3/8	10	37	60	50	3/8"
1/2	15	45	70	60	1/2"
3/4	20	53	85	65	3/4"
1	25	57	93	70	1"
1 1/4	32	71	109	80	1 1/4"
1 1/2	40	80	117	90	1 1/2"
2	50	86	137	110	2"
2 1/2	65	107	154	120	2 1/2"
3	80	123	184	140	3"
4	100	159	224	160	4"

~ ±10

## 1001A Bronze Angle Globe Valve No.4 (Screwed)

### Salient Features

- Angle Pattern.
- Screwed Female Ends to IS 554 / BS 21 / ISO 7.
- Screwed in Bonnet, Inside Screw, Rising Stem, Integral Seat.
- Designed sheet metal handwheel for a firm grip and convenient operation.
- Premium Quality PTFE Gland Packing.
- Medium Pattern.

Test Pressure (Hydrostatic) :  
Shell : 24 kg/cm<sup>2</sup>g (340 psig)  
Seat : 16 kg/cm<sup>2</sup>g (225 psig)  
Maximum Working Temperature : 225°C

### Suitable For

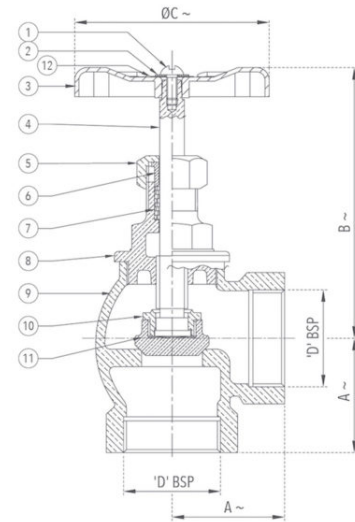
Water, Oil, Air\*, Gases\*

\*Also available with PTFE Seating for Air and Gas applications, at a nominal extra price.



### Materials

P.No.	Name of Part	Material of Construction	Specification	Quantity
1	Screw / Bolt	Carbon Steel (Zinc Plated)	---	1
2	Washer	Carbon Steel (Zinc Plated)	---	1
3	Handwheel	Sheet Metal (Powder Coated)	---	1
4	Stem	Forged Brass	IS 6912 Gr. FLB	1
5	Gland Nut	Forged Brass	IS 6912 Gr. FLB	1
6	Gland	Forged Brass	IS 6912 Gr. FLB	1
7	Gland Packing	PTFE	---	-
8	Bonnet	Bronze	IS 318 Gr. LTB2	1
9	Body	Bronze	IS 318 Gr. LTB2	1
10	Disc Nut	Bronze	IS 318 Gr. LTB2	1
11	Disc	Bronze	IS 318 Gr. LTB2	1
12	Name Plate	Aluminium	---	1



### Sizes / Dimensions

Size (Inches)	Size (mm)	A ~	B ~	ØC ~	D
1/2	15	29	75	60	1/2"
3/4	20	35	82	65	3/4"
1	25	43	90	70	1"
1 1/4	32	47	115	80	1 1/4"
1 1/2	40	54	125	90	1 1/2"
2	50	66	143	110	2"

~ ±10

## 1002 Bronze Globe Valve No.5 (Screwed)

### Salient Features

- Screwed Female Ends to IS 554 / BS 21 / ISO 7.
- Screwed in Bonnet, Inside Screw, Rising Stem, Integral Seat.
- Designed sheet metal handwheel for a firm grip and convenient operation.
- Provision for re-packing under pressure.
- Premium Quality PTFE Gland Packing.
- Heavy Pattern.

Test Pressure (Hydrostatic) :  
Shell : 35 kg/cm<sup>2</sup>g (500 psig)  
Seat : 20 kg/cm<sup>2</sup>g (285 psig)  
Maximum Working Temperature : 225°C

### Suitable For

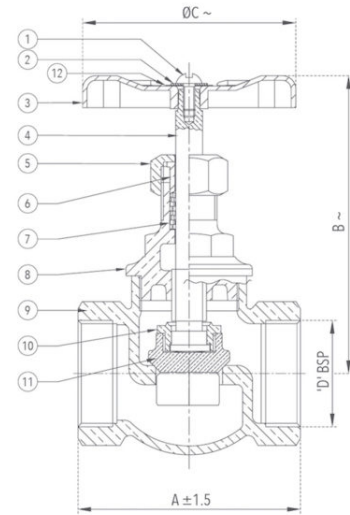
Water, Oil, Air\*, Gases\*

\*Also available with PTFE Seating for Air and Gas applications, at a nominal extra price.



### Materials

P.No.	Name of Part	Material of Construction	Specification	Quantity
1	Screw / Bolt	Carbon Steel (Zinc Plated)	---	1
2	Washer	Carbon Steel (Zinc Plated)	---	1
3	Handwheel	Sheet Metal (Powder Coated)	---	1
4	Stem	Forged Brass	IS 6912 Gr. FLB	1
5	Gland Nut	Forged Brass	IS 6912 Gr. FLB	1
6	Gland	Forged Brass	IS 6912 Gr. FLB	1
7	Gland Packing	PTFE	---	-
8	Bonnet	Bronze	IS 318 Gr. LTB2	1
9	Body	Bronze	IS 318 Gr. LTB2	1
10	Disc Nut	Bronze	IS 318 Gr. LTB2	1
11	Disc	Bronze	IS 318 Gr. LTB2	1
12	Name Plate	Aluminium	---	1



### Sizes / Dimensions

Size (Inches)	Size (mm)	A ±1.5	B ~	ØC ~	D
1/4	8	34	58	60	1/4"
3/8	10	41	72	60	3/8"
1/2	15	55	90	60	1/2"
3/4	20	65	103	65	3/4"
1	25	82	119	70	1"
1 1/4	32	88	136	70	1 1/4"
1 1/2	40	98	147	102	1 1/2"
2	50	120	162	110	2"
2 1/2	65	133	189	130	2 1/2"
3	80	160	215	164	3"

~ ±10

## 1003 Bronze Globe Valve No.8 (Flanged)

### Salient Features

- Flanged Ends to BS 10 Table 'D'.
- Screwed in Bonnet, Inside Screw, Rising Stem, Integral Seat.
- Designed sheet metal handwheel for a firm grip and convenient operation.
- Premium Quality PTFE Gland Packing.
- Medium Pattern.

Test Pressure (Hydrostatic) :  
Shell : 24 kg/cm<sup>2</sup>g (340 psig)  
Seat : 16 kg/cm<sup>2</sup>g (225 psig)  
Maximum Working Temperature : 225°C

### Suitable For

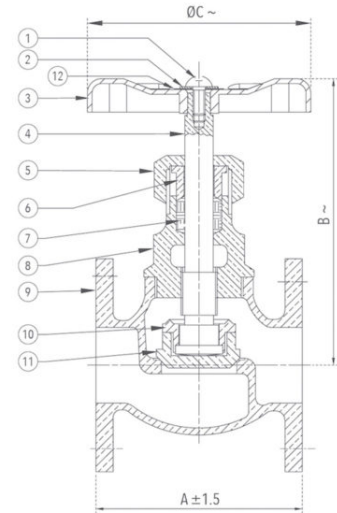
Water, Oil, Air\*, Gases\*

\*Also available with PTFE Seating for Air and Gas applications, at a nominal extra price.



### Materials

P.No.	Name of Part	Material of Construction	Specification	Quantity
1	Screw / Bolt	Carbon Steel (Zinc Plated)	---	1
2	Washer	Carbon Steel (Zinc Plated)	---	1
3	Handwheel	Sheet Metal (Powder Coated)	---	1
4	Stem	Forged Brass	IS 6912 Gr. FLB	1
5	Gland Nut	Forged Brass	IS 6912 Gr. FLB	1
6	Gland	Forged Brass	IS 6912 Gr. FLB	1
7	Gland Packing	PTFE	---	-
8	Bonnet	Bronze	IS 318 Gr. LTB2	1
9	Body	Bronze	IS 318 Gr. LTB2	1
10	Disc Nut	Bronze	IS 318 Gr. LTB2	1
11	Disc	Bronze	IS 318 Gr. LTB2	1
12	Name Plate	Aluminium	---	1



### Sizes / Dimensions

Size (Inches)	Size (mm)	A ±1.5	B ~	ØC ~
1/2	15	53	85	50
3/4	20	67	90	57
1	25	80	98	62
1 1/4	32	85	115	76
1 1/2	40	91	127	80
2	50	106	140	86

~ ±10

**NOTE** : Also available with Open-Shut indicator and locking device at a nominal extra price.

## 1005 Bronze Needle Valve (Screwed)

### Salient Features

- Screwed Female Ends to IS 554 / BS 21 / ISO 7.
- Screwed in Bonnet, Inside Screw, Rising Stem, Integral Seat.
- Designed sheet metal handwheel for a firm grip and convenient operation.
- Needle Type Spindle Seating.
- Premium Quality PTFE Gland Packing.
- Medium Pattern.

Test Pressure (Hydrostatic) :  
Shell : 24 kg/cm<sup>2</sup>g (340 psig)  
Seat : 16 kg/cm<sup>2</sup>g (225 psig)  
Maximum Working Temperature : 225°C

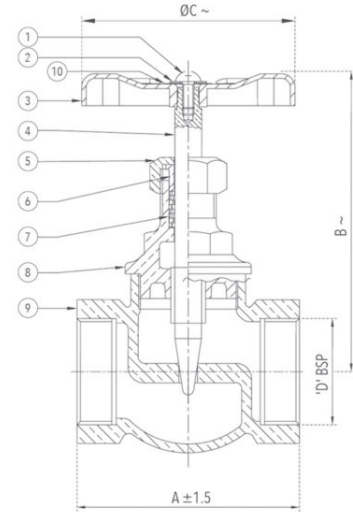
### Suitable For

Air, Gases



### Materials

P.No.	Name of Part	Material of Construction	Specification	Quantity
1	Screw / Bolt	Carbon Steel (Zinc Plated)	---	1
2	Washer	Carbon Steel (Zinc Plated)	---	1
3	Handwheel	Sheet Metal (Powder Coated)	---	1
4	Stem	Forged Brass	IS 6912 Gr. FLB	1
5	Gland Nut	Forged Brass	IS 6912 Gr. FLB	1
6	Gland	Forged Brass	IS 6912 Gr. FLB	1
7	Gland Packing	PTFE	---	-
8	Bonnet	Bronze	IS 318 Gr. LTB2	1
9	Body	Bronze	IS 318 Gr. LTB2	1
10	Name Plate	Aluminium	---	1



### Sizes / Dimensions

Size (Inches)	Size (mm)	A ±1.5	B ~	ØC ~	D
1/2	15	48	85	60	1/2"
3/4	20	55	92	65	3/4"
1	25	65	100	70	1"
1 1/4	32	77	110	80	1 1/4"
1 1/2	40	90	125	90	1 1/2"
2	50	102	142	110	2"

~ ±10

## 1006 Bronze Gate Valve (Hex. Type) (Screwed)

### Salient Features

- Screwed Female Ends to IS 554 / BS 21 / ISO 7.
- Screwed in Bonnet, Inside Screw, Non-Rising Stem, Integral Seat.
- Forged Brass Bonnet, Wedge, Stem and Gland Nut.
- Body designed for convenient fitting where space constraint is the factor.
- Designed sheet metal handwheel for a firm grip and convenient operation.
- Premium Quality PTFE Gland Packing.

Test Pressure (Hydrostatic) :  
Shell : 24 kg/cm<sup>2</sup>g (340 psig)  
Seat : 16 kg/cm<sup>2</sup>g (225 psig)  
Maximum Working Temperature : 225°C

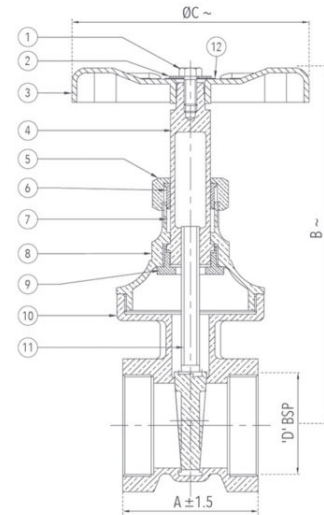
### Suitable For

Water, Oil



### Materials

P.No.	Name of Part	Material of Construction	Specification	Quantity
1	Screw / Bolt	Carbon Steel (Zinc Plated)	- - -	1
2	Washer	Carbon Steel (Zinc Plated)	- - -	1
3	Hand wheel	Sheet Metal (Powder Coated)	- - -	1
4	Stem	Forged Brass / Bronze	IS 6912 Gr. FLB / IS 318 Gr. LTB 2*	1
5	Gland Nut	Forged Brass	IS 6912 Gr. FLB	1
6	Gland	Forged Brass	IS 6912 Gr. FLB	1
7	Gland Packing	PTFE	- - -	-
8	Bonnet	Forged Brass / Bronze	IS 6912 Gr. FLB / IS 318 Gr. LTB 2*	1
9	Check Nut	Forged Brass	IS 6912 Gr. FLB	1
10	Body	Bronze	IS 318 Gr. LTB 2	1
11	Wedge	Forged Brass	IS 6912 Gr. FLB	1
12	Name Plate	Aluminum	- - -	1



### Sizes / Dimensions

Size (Inches)	Size (mm)	A ± 1.5	B ~	ØC ~	D
1/4*	8*	35	92	60	1/4"
3/8*	10*	38	96	60	3/8"
1/2	15	41	103	60	1/2"
3/4	20	45	122	65	3/4"
1	25	50	137	70	1"
1 1/4	32	54	150	90	1 1/4"
1 1/2	40	60	166	90	1 1/2"
2	50	65	200	110	2"
2 1/2*	65*	76	250	120	2 1/2"
3*	80*	92	292	138	3"
4*	100*	105	365	160	4"

~ ±10

\*Stem and Bonnet for Size 8, 10, 65, 80 and 100 are of Bronze.

**NOTE :** Size 6" can also be made available.

## 1007 Bronze Gate Valve (Peg. Type) (Screwed)

### Salient Features

- Design Standard BSEN 12288 (BS 5154).
- Screwed Female Ends to IS 554 / BS 21 / ISO 7.
- Screwed in Bonnet, Inside Screw, Non-Rising Stem, Integral Seat.
- Designed sheet metal handwheel for a firm grip and convenient operation.
- Premium Quality PTFE Gland Packing.

Test Pressure (Hydrostatic) :  
Shell : 25 kg/cm<sup>2</sup>g (350 psig)  
Seat : 16 kg/cm<sup>2</sup>g (225 psig)  
Maximum Working Temperature : 225°C

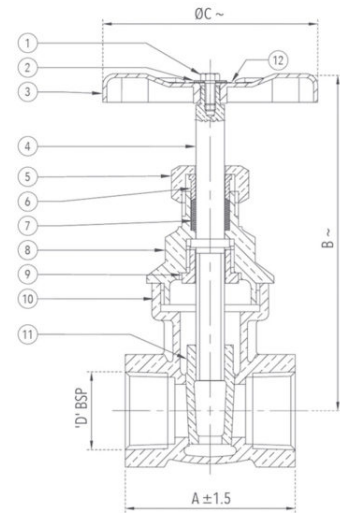
### Suitable For

Water, Oil



### Materials

P.No.	Name of Part	Material of Construction	Specification	Quantity
1	Screw / Bolt	Carbon Steel (Zinc Plated)	- - -	1
2	Washer	Carbon Steel (Zinc Plated)	- - -	1
3	Handwheel	Sheet Metal (Powder Coated)	- - -	1
4	Stem	Forged Brass	IS 6912 Gr. FLB	1
5	Gland Nut	Forged Brass	IS 6912 Gr. FLB	1
6	Gland	Forged Brass	IS 6912 Gr. FLB	1
7	Gland Packing	PTFE	- - -	-
8	Bonnet	Forged Brass / Bronze	IS 6912 Gr. FLB / IS 318 Gr. LTB2	1
9	Check Nut	Forged Brass	IS 6912 Gr. FLB	1
10	Body	Bronze	IS 318 Gr. LTB 2	1
11	Wedge	Bronze	IS 318 Gr. LTB 2	1
12	Name Plate	Aluminium	- - -	1



### Sizes / Dimensions

Size (Inches)	Size (mm)	A ±1.5	B ~	ØC ~	D
1/4*	8*	43	89	50	1/4"
3/8*	10*	43	92	50	3/8"
1/2	15	48	105	60	1/2"
3/4	20	53	114	65	3/4"
1	25	60	129	70	1"
1 1/4	32	68	139	80	1 1/4"
1 1/2	40	72	155	90	1 1/2"
2	50	83	189	110	2"
2 1/2	65	94	220	120	2 1/2"
3	80	105	250	140	3"
4*	100*	127	307	160	4"

~ ±10

\*Bonnet for Size 8, 10 and 100 is of Bronze.

## 1008 Bronze Ball Valve (Screwed)

### Salient Features

- Screwed Female Ends to IS 554 / BS 21 / ISO 7.
- Full Bore, Two Piece Design.
- Quarter Turn, Lever Operated.
- Provided with Stainless Steel Ball.
- Premium Quality PTFE Gland Packing and Seating.

Test Pressure (Hydrostatic) :  
Shell : 25 kg/cm<sup>2</sup>g (350 psig)  
Seat : 16 kg/cm<sup>2</sup>g (225 psig)  
Maximum Working Temperature : 220°C

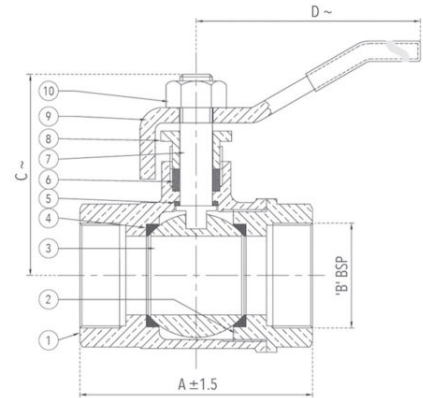
### Suitable For

Water, Oil



### Materials

P.No.	Name of Part	Material of Construction	Specification	Quantity
1	Body	Bronze	IS 318 GR. LTB 2	1
2	Bonnet	Bronze / Forged Brass	IS 318 GR. LTB 2 / IS 6912 Gr. FLB	1
3	Ball	Stainless Steel	ASTM A276 Type 304 / ASTM A351 Gr. CF8	1
4	Body Seat Ring	PTFE	---	2
5	Thrust Washer	PTFE	---	1
6	Gland Packing	PTFE	---	-
7	Stem	Stainless Steel	ASTM A276 Type 410	1
8	Gland	Forged Brass	IS 6912 Gr. FLB	1
9	Lever	Mild Steel	---	1
10	Nut	Carbon Steel	---	1



### Sizes / Dimensions

Size (Inches)	Size (mm)	A ±1.5	B	C ~	D ~
1/2*	15*	60	1/2"	44	105
3/4*	20*	66	3/4"	48	123
1*	25*	73	1"	58	123
1 1/4	32	91	1 1/4"	73	148
1 1/2	40	91	1 1/2"	80	178
2	50	117	2"	85	213
2 1/2	65	135	2 1/2"	110	245
3	80	162	3"	116	330
4	100	201	4"	139	330

~ ±10

\*Bonnet for Size 15, 20 and 25 is of Forged Brass.



## 1008A Bronze Ball Valve E-Model (Screwed)

### Salient Features

- Screwed Female Ends to IS 554 / BS 21 / ISO 7.
- Full Bore, Two Piece Design.
- Quarter Turn, Lever Operated.
- Provided with Stainless Steel Ball.
- Premium Quality PTFE Gland Packing and Seating.

Test Pressure (Hydrostatic) :  
Shell : 20 kg/cm<sup>2</sup>g (285 psig)  
Seat : 13.5 kg/cm<sup>2</sup>g (192 psig)  
Maximum Working Temperature : 220°C

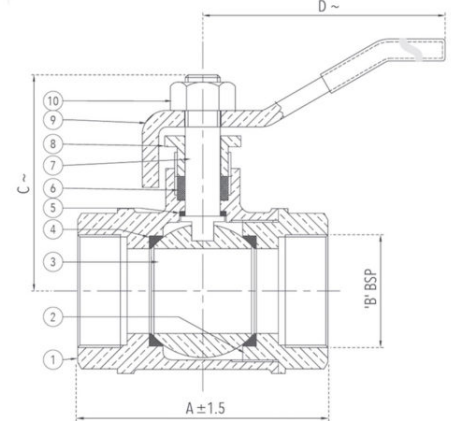
### Suitable For

Water, Oil



### Materials

P.No.	Name of Part	Material of Construction	Specification	Quantity
1	Body	Bronze	IS 318 Gr. LTB 2	1
2	Bonnet	Bronze	IS 318 Gr. LTB 2	1
3	Ball	Stainless Steel	ASTM A276 Type 304 / ASTM A351 Gr. CF8	1
4	Body Seat Ring	PTFE	---	2
5	Thrust Washer	PTFE	---	1
6	Gland Packing	PTFE	---	-
7	Stem	Stainless Steel	ASTM A276 Type 410	1
8	Gland	Forged Brass	IS 6912 Gr. FLB	1
9	Lever	Mild Steel	---	1
10	Nut	Carbon Steel	---	1



### Sizes / Dimensions

Size (Inches)	Size (mm)	A ±1.5	B	C ~	D ~
1/2	15	53	1/2"	40	106
3/4	20	58	3/4"	44	123
1	25	68	1"	50	123
1 1/4	32	76	1 1/4"	65	147
1 1/2	40	85	1 1/2"	72	178
2	50	102	2"	79	217

~ ±10

## 1008B Forged Brass Ball Valve (Screwed)

### Salient Features

- Screwed Female Ends to IS 554 / BS 21 / ISO 7.
- Full Bore, Two Piece Design.
- Quarter Turn, Lever Operated.
- Provided with Forged Brass Hard Chrome Plated Ball.
- Premium Quality PTFE Gland Packing and Seating.
- Chrome Finish.

Test Pressure (Hydrostatic) :  
Shell : 25 kg/cm<sup>2</sup>g (350 psig)  
Seat : 16 kg/cm<sup>2</sup>g (225 psig)  
Maximum Working Temperature : 220°C

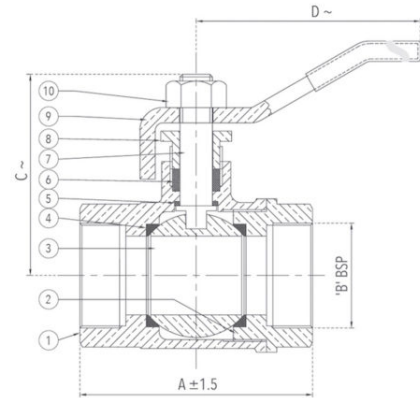
### Suitable For

Water, Oil



### Materials

P.No.	Name of Part	Material of Construction	Specification	Quantity
1	Body	Forged Brass	IS 6912 Gr. FLB	1
2	Bonnet	Forged Brass	IS 6912 Gr. FLB	1
3	Ball	Forged Brass (Hard Chrome Plated)	IS 6912 Gr. FLB	1
4	Body Seat Ring	PTFE	---	2
5	Thrust Washer	PTFE	---	1
6	Gland Packing	PTFE	---	
7	Stem	Forged Brass	IS 6912 Gr. FLB	1
8	Gland	Forged Brass	---	1
9	Lever	Aluminium Alloy / Mild Steel	---	1
10	Nut	Brass (Chrome Plated)	---	1



### Sizes / Dimensions

Size (Inches)	Size (mm)	A ± 1.5	B	C ~	D ~
1/4	8	47	1/4"	37	90
3/8	10	47	3/8"	37	90
1/2	15	50	1/2"	40	106
3/4	20	57	3/4"	43	132
1	25	67	1"	47	132
1 1/4	32	76	1 1/4"	62	166
1 1/2	40	87	1 1/2"	68	176
2	50	104	2"	80	216
2 1/2	65	139	2 1/2"	100	216
3	80	155	3"	110	280
4	100	177	4"	124	280

~ ±10

## 1009 Bronze Vertical Check Valve (Screwed)

### Salient Features

- Screwed Female Ends to IS 554 / BS 21 / ISO 7.
- Single Piece Design, Integral Seat.
- Meant for Vertical Lines Only.
- Permits flow in one direction and shuts automatically if the flow reverses.
- Spring Loaded and 'O' Ring Type.
- Also available with metal to metal seating.

Test Pressure (Hydrostatic) :  
Shell : 25 kg/cm<sup>2</sup>g (350 psig)  
Seat : 16 kg/cm<sup>2</sup>g (225 psig)  
Maximum Working Temperature : 80°C

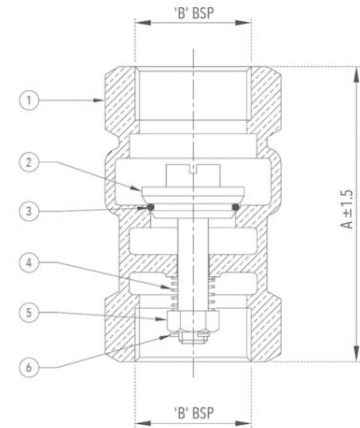
### Suitable For

Water, Oil



### Materials

P.No.	Name of Part	Material of Construction	Specification	Quantity
1	Body	Bronze	IS 318 Gr. LTB 2	1
2	Disc	Bronze	IS 318 Gr. LTB 2	1
3	'O' Ring	Nitrile Rubber	IS 5192 - 1	1
4	Spring	Stainless Steel	Type 304	1
5	Disc Nut	Brass	---	1
6	Split Pin	Brass	---	1



### Sizes / Dimensions

Size (Inches)	Size (mm)	A ±1.5	B
1/2	15	55	1/2"
3/4	20	66	3/4"
1	25	76	1"
1 1/4	32	80	1 1/4"
1 1/2	40	85	1 1/2"
2	50	93	2"
2 1/2	65	114	2 1/2"
3	80	118	3"
4	100	141	4"

## 1009A Forged Brass Multi Utility Check Valve (Screwed)

### Salient Features

- Screwed Female Ends to IS 554 / BS 21 / ISO 7.
- Screwed in Bonnet.
- Suitable for both Horizontal and Vertical Lines.
- Permits flow in one direction and shuts automatically if the flow reverses.
- Disc is guided in Body as well as in Bonnet.
- Chrome Finish.

Test Pressure (Hydrostatic) :  
Shell : 15 kg/cm<sup>2</sup>g (220 psig)  
Seat : 10 kg/cm<sup>2</sup>g (150 psig)  
Maximum Working Temperature : 90°C

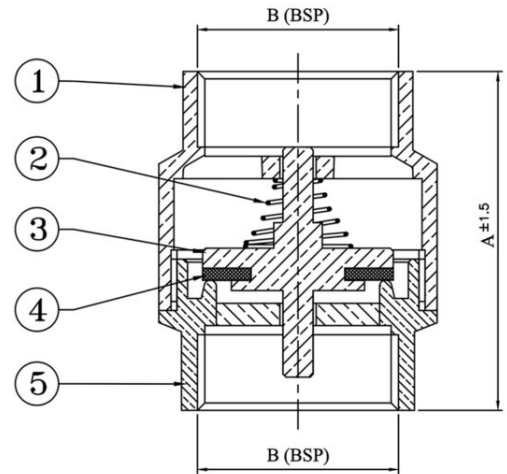
### Suitable For

Water, Oil



### Materials

P.No.	Name of Part	Material of Construction	Specification	Quantity
1	Body	Forged Brass	IS 6912 Gr. FLB	1
2	Spring	Stainless Steel	Type 304	1
3	Disc	Forged Brass	IS 6912 Gr. FLB	1
4	Disc Facing	Nitrile Rubber	IS 638 Type B	1
5	Bonnet	Forged Brass	IS 6912 Gr. FLB	1



### Sizes / Dimensions

Size (Inches)	Size (mm)	A ±1.5	B
1/2	15	46	1/2"
3/4	20	53	3/4"
1	25	56	1"
1 1/4	32	60	1 1/4"
1 1/2	40	65	1 1/2"
2	50	76	2"

## 1010 Bronze Horizontal Check Valve (Screwed)

### Salient Features

- Screwed Female Ends to IS 554 / BS 21 / ISO 7.
- Screwed in Bonnet, Integral Seat.
- Permits flow in one direction and closes automatically if the flow reverses.
- Metal Disc is mushroom shaped with spherical seating surface.
- Meant for Horizontal Lines only.
- Disc is guided in Body as well as in Bonnet.
- Medium Pattern.
- Also available with metal to metal seating.

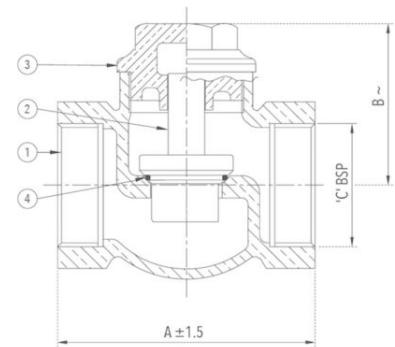
Test Pressure (Hydrostatic) :  
Shell : 20 kg/cm<sup>2</sup>g (285 psig)  
Seat : 13.5 kg/cm<sup>2</sup>g (192 psig)  
Maximum Working Temperature : 80°C

### Suitable For

Water, Oil

### Materials

P.No.	Name of Part	Material of Construction	Specification	Quantity
1	Body	Bronze	IS 318 Gr. LTB 2	1
2	Disc	Bronze	IS 318 Gr. LTB 2	1
3	Bonnet	Bronze / Forged Brass	IS 318 Gr. LTB 2 / IS 6912 Gr. FLB	1
4	'O' Ring	Nitrile Rubber	IS 5192 - 1	1



### Sizes / Dimensions

Size (Inches)	Size (mm)	A ±1.5	B ~	C
1/4	8	33	24	1/4"
3/8	10	37	28	3/8"
1/2	15	45	32	1/2"
3/4	20	53	37	3/4"
1	25	57	41	1"
1 1/4	32	71	46	1 1/4"
1 1/2	40	79	52	1 1/2"
2	50	86	66	2"
2 1/2*	65*	107	80	2 1/2"
3*	80*	123	94	3"
4*	100*	159	104	4"

~ ±10

\*Bonnet for Size 65, 80 and 100 is of Bronze.

## 1010A Bronze Angle Type Lift Check Valve (Screwed)

### Salient Features

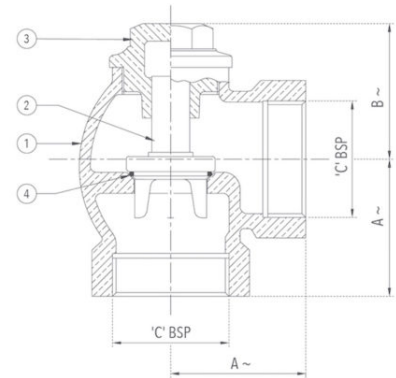
- Screwed Female Ends to IS 554 / BS 21 / ISO 7.
- Angle Pattern, Screwed in Bonnet, Integral Seat.
- Permits flow in one direction and closes automatically if the flow reverses.
- Metal Disc is mushroom shaped with spherical seating surface.
- Disc is guided in Body as well as in Bonnet.
- Medium Pattern.
- Also available with metal to metal seating.

Test Pressure (Hydrostatic) :  
Shell : 24 kg/cm<sup>2</sup>g (340 psig)  
Seat : 16 kg/cm<sup>2</sup>g (225 psig)  
Maximum Working Temperature : 80°C

**Suitable For**  
Water, Oil

### Materials

P.No.	Name of Part	Material of Construction	Specification	Quantity
1	Body	Bronze	IS 318 Gr. LTB 2	1
2	Disc	Bronze	IS 318 Gr. LTB 2	1
3	Bonnet	Forged Brass	IS 6912 Gr. FLB	1
4	'O' Ring	Nitrile Rubber	IS 5192 - 1	1



### Sizes / Dimensions

Size (Inches)	Size (mm)	A ~	B ~	C
1/2	15	29	34	1/2"
3/4	20	35	40	3/4"
1	25	43	46	1"
1 1/4	32	47	53	1 1/4"
1 1/2	40	54	61	1 1/2"
2	50	66	70	2"

~ ±10

## 1018 Bronze Ferrule Cock (Medium)

### Salient Features

- Screwed Male Ends (Inlet to BSPT and Outlet to BSP) to IS 554 / BS 21 / ISO 7.
- Medium Pattern, Rough Body, Full Flow.
- Metal to Metal contact seating.
- Can withstand heavy impact of water as well as tolerance of sudden pressure.

Test Pressure (Hydrostatic) :  
Shell : 20 kg/cm<sup>2</sup>g (285 psig)  
Seat : 13.5 kg/cm<sup>2</sup>g (192 psig)  
Maximum Working Temperature : 225°C

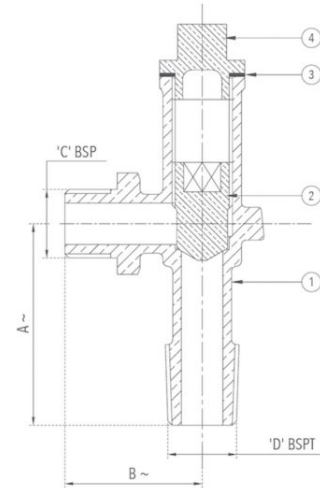
### Suitable For

Water



### Materials

P.No.	Name of Part	Material of Construction	Specification	Quantity
1	Body	Bronze	IS 318 Gr. LTB 2	1
2	Plug	Bronze	IS 318 Gr. LTB 2	1
3	Joint Washer	Leather	---	1
4	Cap	Bronze	IS 318 Gr. LTB 2	1



### Sizes / Dimensions

Size (Inches)	Size (mm)	A ±5	B ±5	C	D
1/4	8	57	35	1/4"	1/4"
3/8	10	60	36	3/8"	3/8"
1/2	15	57	37	1/2"	1/2"

## 1019 Bronze Ferrule Cock (Heavy)

### Salient Features

- Screwed Male Ends (Inlet to BSPT and Outlet to BSP) to IS 554 / BS 21 / ISO 7.
- Heavy Pattern, Rough Body, Full Flow.
- Metal to Metal contact seating.
- Can withstand heavy impact of water as well as tolerance of high sudden pressure.

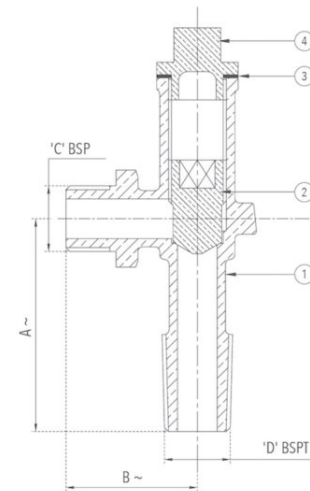
Test Pressure (Hydrostatic) :  
Shell : 24 kg/cm<sup>2</sup>g (340 psig)  
Seat : 16 kg/cm<sup>2</sup>g (225 psig)  
Maximum Working Temperature : 225°C

**Suitable For**  
Water



### Materials

P.No.	Name of Part	Material of Construction	Specification	Quantity
1	Body	Bronze	IS 318 Gr. LTB 2	1
2	Plug	Bronze	IS 318 Gr. LTB 2	1
3	Joint Washer	Leather	- - -	1
4	Cap	Bronze	IS 318 Gr. LTB 2	1



### Sizes / Dimensions

Size (Inches)	Size (mm)	A ±5	B ±5	C	D
1/2	15	70	42	1/2"	1/2"
3/4	20	75	50	3/4"	3/4"
1	25	80	60	1"	1"



## 1022A Forged Brass Ball Bib Cock (Chrome Plated)

### Salient Features

- Screwed Male End to IS 554 / BS 21 / ISO 7.
- Provided with Hard Chrome Plated Brass Ball.
- Quarter Turn, Lever Operated.
- Chrome Finish.

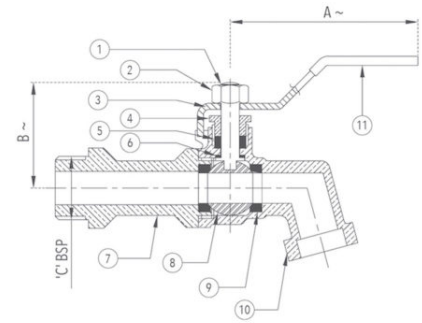
Test Pressure (Hydrostatic) :  
Shell : 25 kg/cm<sup>2</sup>g (350 psig)  
Seat : 16 kg/cm<sup>2</sup>g (225 psig)  
Maximum Working Temperature : 220°C

**Suitable For**  
Water



### Materials

P.No.	Name of Part	Material of Construction	Specification	Quantity
1	Stem	Forged Brass	IS 6912 Gr. FLB	1
2	Nut	Brass (Chrome Plated)	---	1
3	Lever	Mild Steel	---	1
4	Gland	Forged Brass	IS 6912 Gr. FLB	1
5	Gland Packing	PTFE	---	1
6	Thrust Washer	PTFE	---	1
7	Adaptor	Forged Brass	IS 6912 Gr. FLB	1
8	Ball	Forged Brass (Hard Chrome Plated)	IS 6912 Gr. FLB	1
9	Body Seat Ring	PTFE	---	2
10	Body	Forged Brass	IS 6912 Gr. FLB	1
11	Sleeve	PVC	---	1



### Sizes / Dimensions

Size (Inches)	Size (mm)	A ~	B ~	C
1/2	15	115	34	1/2"

~ ±10

## 1024A Forged Brass Ball Bib Cock with Hose Union (Chrome Plated)

### Salient Features

- Screwed Male End to IS 554 / BS 21 / ISO 7.
- Provided with Chrome Plated Brass Ball.
- Sturdy Hose Union provided.
- Chrome Finish.

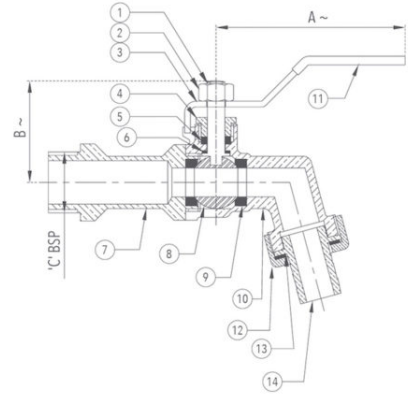
Test Pressure (Hydrostatic) :  
Shell : 25 kg/cm<sup>2</sup>g (350 psig)  
Seat : 16 kg/cm<sup>2</sup>g (225 psig)  
Maximum Working Temperature : 220°C

**Suitable For**  
Water



### Materials

P.No.	Name of Part	Material of Construction	Specification	Quantity
1	Stem	Forged Brass	IS 6912 Gr. FLB	1
2	Nut	Brass (Chrome Plated)	---	1
3	Lever	Mild Steel	---	1
4	Gland	Forged Brass	IS 6912 Gr. FLB	1
5	Gland Packing	PTFE	---	1
6	Thrust Washer	PTFE	---	1
7	Adaptor	Forged Brass	IS 6912 Gr. FLB	1
8	Ball	Forged Brass (Hard Chrome Plated)	IS 6912 Gr. FLB	1
9	Body Seat Ring	PTFE	---	2
10	Body	Forged Brass	IS 6912 Gr. FLB	1
11	Sleeve	PVC	---	1
12	Hose Nut	Forged Brass	IS 6912 Gr. FLB	1
13	Washer	Rubber	---	1
14	Hose Pipe	Forged Brass	IS 6912 Gr. FLB	1



### Sizes / Dimensions

Size (Inches)	Size (mm)	A ~	B ~	C
1/2	15	115	34	1/2"

~ ±10

1033 Bronze Globe Valve (Screwed) 

**Salient Features**

- Screwed Female Ends to IS 554 / BS 21 / ISO 7.
- Screwed in Bonnet, Inside Screw, Rising Stem, Integral Seat.
- Provision for re-packing under pressure.
- Premium Quality PTFE Gland Packing.
- Design Standard IS 778, Class-1.
- Designed sheet metal handwheel for a firm grip and convenient operation.

Test Pressure (Hydrostatic) :  
Shell : 1.5 MPa  
Seat & Back Seat : 1.0 MPa  
Maximum Working Temperature : 45°C

**Suitable For**

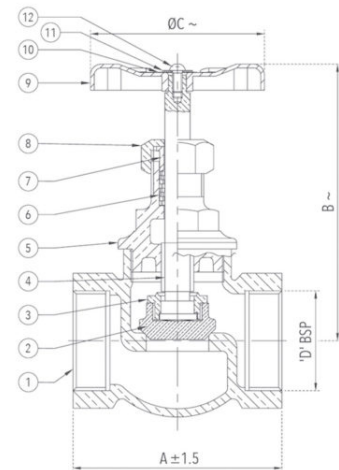
Water, Oil

\*Also available with Open-Shut Indicator & Locking Device and with PTFE Seating, at a nominal extra price.



**Materials**

P.No.	Name of Part	Material of Construction	Specification	Quantity
1	Body	Bronze	IS 318 Gr. LTB 2	1
2	Disc	Bronze	IS 318 Gr. LTB 2	1
3	Disc Nut	Bronze	IS 318 Gr. LTB 2	1
4	Stem	Forged Brass	IS 6912 Gr. FLB	1
5	Bonnet	Bronze	IS 318 Gr. LTB 2	1
6	Gland Packing	PTFE	---	-
7	Gland	Forged Brass	IS 6912 Gr. FLB	1
8	Gland Nut	Forged Brass	IS 6912 Gr. FLB	1
9	Handwheel	Sheet Metal (Powder Coated)	---	1
10	Name Plate	Aluminium	---	1
11	Washer	Carbon Steel (Zinc Plated)	---	1
12	Screw / Bolt	Carbon Steel (Zinc Plated)	---	1




**Sizes / Dimensions**

Size (Inches)	Size (mm)	A ±1.5	B ~	ØC ~	D
1/4	8	47	67	50	1/4"
3/8	10	50	70	50	3/8"
1/2	15	60	90	60	1/2"
3/4	20	70	105	65	3/4"
1	25	80	115	70	1"
1 1/4	32	95	127	80	1 1/4"
1 1/2	40	110	138	90	1 1/2"
2	50	125	162	110	2"
2 1/2	65	160	183	115	2 1/2"
3	80	180	207	140	3"
4	100	216	250	160	4"

~ ±10

**NOTE :** 1. For size 8 & 10 part number 2 and 3 is not applicable.  
2. For size 15 and 20 part number 3 is not applicable.

1034 Bronze Globe Valve (Flanged) 

**Salient Features**

- Flanged Ends to IS 778.
- Screwed in Bonnet, Inside Screw, Rising Stem, Integral Seat.
- Provision for re-packing under pressure.
- Premium Quality PTFE Gland Packing.
- Design Standard IS 778, Class-1.
- Designed sheet metal handwheel for a firm grip and convenient operation.

Test Pressure (Hydrostatic) :  
Shell : 1.5 MPa  
Seat & Back Seat : 1.0 MPa  
Maximum Working Temperature : 45°C

**Suitable For**

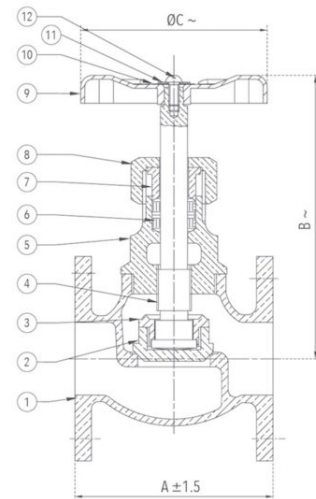
Water, Oil

\*Also available with Open-Shut Indicator & Locking Device and with PTFE Seating, at a nominal extra price.



**Materials**

P.No.	Name of Part	Material of Construction	Specification	Quantity
1	Body	Bronze	IS 318 Gr. LTB 2	1
2	Disc	Bronze	IS 318 Gr. LTB 2	1
3	Disc Nut	Bronze	IS 318 Gr. LTB 2	1
4	Stem	Forged Brass	IS 6912 Gr. FLB	1
5	Bonnet	Bronze	IS 318 Gr. LTB 2	1
6	Gland Packing	PTFE	---	-
7	Gland	Forged Brass	IS 6912 Gr. FLB	1
8	Gland Nut	Forged Brass	IS 6912 Gr. FLB	1
9	Handwheel	Sheet Metal (Powder Coated)	---	1
10	Name Plate	Aluminium	---	1
11	Washer	Carbon Steel (Zinc Plated)	---	1
12	Screw / Bolt	Carbon Steel (Zinc Plated)	---	1



**Sizes / Dimensions**

Size (Inches)	Size (mm)	A ±1.5	B ~	ØC ~
1/2	15	75	90	60
3/4	20	85	105	65
1	25	95	115	70
1 1/4	32	110	127	80
1 1/2	40	120	138	90
2	50	145	162	110
2 1/2	65	165	183	115
3	80	185	207	140
4	100	216	250	160

~ ±10

**NOTE:** For size 15 and 20 part number 3 is not applicable.

1035 Bronze Gate Valve (Screwed) 

**Salient Features**

- Screwed Female Ends to IS 554 / BS 21 / ISO 7.
- Screwed in Bonnet, Inside Screw, Non-Rising Stem, Integral Seat, Solid Wedge.
- Designed sheet metal handwheel for a firm grip and convenient operation.
- Premium Quality PTFE Gland Packing.
- Design Standard IS 778, Class-1.
- Provision for re-packing under pressure.

Test Pressure (Hydrostatic) :  
Shell : 1.5 MPa  
Seat & Back Seat : 1.0 MPa  
Maximum Working Temperature : 45°C

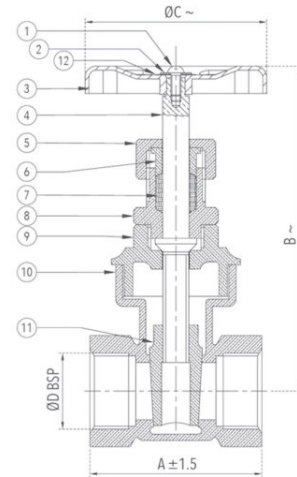
**Suitable For**

Water, Oil  
\*Also available with Open-Shut Indicator and Locking Device, at a nominal extra price.



**Materials**

P.No.	Name of Part	Material of Construction	Specification	Quantity
1	Screw / Bolt	Carbon Steel (Zinc Plated)	---	1
2	Washer	Carbon Steel (Zinc Plated)	---	1
3	Handwheel	Sheet Metal (Power Coated)	---	1
4	Stem	Forged Brass	IS 6912 Gr. FLB	1
5	Gland Nut	Forged Brass	IS 6912 Gr. FLB	1
6	Gland	Forged Brass	IS 6912 Gr. FLB	1
7	Gland Packing	PTFE	---	-
8	Stuffing Box	Forged Brass	IS 6912 Gr. FLB	1
9	Bonnet	Forged Brass	IS 6912 Gr. FLB	1
10	Body	Bronze	IS 318 Gr. LTB 2	1
11	Wedge	Bronze	IS 318 Gr. LTB 2	1
12	Name Plate	Aluminium	---	1



**Sizes / Dimensions**

Size (Inches)	Size (mm)	A ±1.5	B ~	ØC ~	D
1/4	8	50	84	50	1/4"
3/8	10	50	89	50	3/8"
1/2	15	60	105	60	1/2"
3/4	20	60	117	65	3/4"
1	25	70	132	70	1"
1 1/4	32	80	150	80	1 1/4"
1 1/2	40	90	165	90	1 1/2"
2	50	100	190	110	2"
2 1/2	65	105	232	115	2 1/2"
3	80	125	268	140	3"
4	100	160	332	160	4"

~ ±10

1035A Bronze Gate Valve Class-2 (Screwed) 

**Salient Features**

- Screwed Female Ends to IS 554 / BS 21 / ISO 7.
- Screwed in Bonnet, Inside Screw, Non-Rising Stem, Integral Seat, Solid Wedge.
- Designed sheet metal handwheel for a firm grip and convenient operation.
- Premium Quality PTFE Gland Packing.
- Design Standard IS 778, Class-2.
- Provision for re-packing under pressure.

Test Pressure (Hydrostatic) :  
Shell : 2.4 MPa  
Seat & Back Seat : 1.6 MPa  
Maximum Working Temperature : 45°C

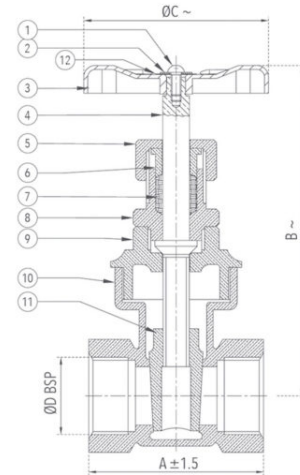
**Suitable For**

Water, Oil  
\*Also available with Open-Shut Indicator and Locking Device, at a nominal extra price.



**Materials**

P.No.	Name of Part	Material of Construction	Specification	Quantity
1	Screw / Bolt	Carbon Steel (Zinc Plated)	- - -	1
2	Washer	Carbon Steel (Zinc Plated)	- - -	1
3	Handwheel	Sheet Metal (Powder Coated)	- - -	1
4	Stem	Forged Brass	IS 6912 Gr. FLB	1
5	Gland Nut	Forged Brass / Bronze	IS 6912 Gr. FLB / IS 318 Gr. LTB 2	1
6	Gland	Forged Brass	IS 6912 Gr. FLB	1
7	Gland Packing	PTFE	BSEN 12086 - 1	-
8	Stuffing Box	Forged Brass	IS 6912 Gr. FLB	1
9	Bonnet	Forged Brass	IS 6912 Gr. FLB	1
10	Body	Bronze	IS 318 Gr. LTB 2	1
11	Wedge	Bronze	IS 318 Gr. LTB 2	1
12	Name Plate	Aluminium	- - -	1



**Sizes / Dimensions**

Size (Inches)	Size (mm)	A ±1.5	B ~	ØC ~	D
1/4	8	50	84	50	1/4"
3/8	10	50	89	50	3/8"
1/2	15	60	105	60	1/2"
3/4	20	60	117	65	3/4"
1	25	70	132	70	1"
1 1/4	32	80	150	80	1 1/4"
1 1/2	40	90	165	90	1 1/2"
2	50	100	190	110	2"
2 1/2*	65*	105	232	117	2 1/2"
3*	80*	125	268	140	3"
4*	100*	160	332	160	4"

~ ±10

\*Gland Nut for Size 65, 80 and 100 is of Bronze.

## 1035B Bronze Gate Valve Rising Stem (Screwed)

### Salient Features

- Screwed female ends to IS 554 / BS21 / ISO - 7.
- Screwed in Bonnet, Inside Screw, Rising Stem, Integral Seat, Solid Wedge.
- Provision for Re-packing under pressure.
- Designed sheet metal handwheel for a firm grip and convenient operation.
- Premium quality PTFE Gland Packing.

Test Pressure(Hydrostatic) Class-1 :

Shell : 1.5 Mpa

Seat & Back Seat : 1.0 Mpa

Maximum Working Temperature : 45°C

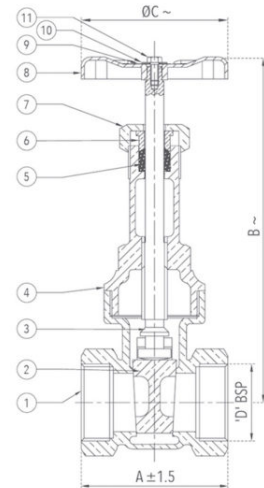
### Suitable For

Water, Oil



### Materials

P.No.	Name of Part	Material of Construction	Specification	Quantity
1	Body	Bronze	IS 318 Gr. LTB 2	1
2	Wedge	Bronze	IS 318 Gr. LTB 2	1
3	Stem	Forged Brass	IS 6912 Gr. LTB 2	1
4	Bonnet	Bronze	IS 318 Gr. LTB 2	1
5	Gland Packing	PTFE	---	-
6	Gland	Forged Brass	IS 6912 Gr. FLB	1
7	Gland Nut	Forged Brass	IS 6912 Gr. FLB	-
8	Hand Wheel	Sheet Metal (Powder Coated)	---	1
9	Name Plate	Aluminium	---	1
10	Washer	Carbon Steel (Zinc Plated)	---	1
11	Screw/Bolt	Carbon Steel (Zinc Plated)	---	1



### Sizes / Dimensions

Size (Inches)	Size (mm)	A ±1.5	B ~	ØC ~	D
1/2	15	60	120	60	1/2"
3/4	20	60	128	65	3/4"
1	25	70	150	70	1"
1 1/4	32	80	188	80	1 1/4"
1 1/2	40	90	214	90	1 1/2"
2	50	100	243	110	2"
2 1/2	65	105	310	115	2 1/2"
3	80	125	360	140	3"
4	100	160	432	160	4"

~ ±10

## 1036 Bronze Gate Valve (Flanged)



### Salient Features

- Flanged Ends to IS 778.
- Screwed in Bonnet, Inside Screw, Non-Rising Stem, Integral Seat, Solid Wedge.
- Designed sheet metal handwheel for a firm grip and convenient operation.
- Premium Quality PTFE Gland Packing.
- Provision for re-packing under pressure.
- Design Standard IS 778, Class-1.

Test Pressure (Hydrostatic) :

Shell : 1.5 MPa

Seat & Back Seat : 1.0 MPa

Maximum Working Temperature : 45°C

### Suitable For

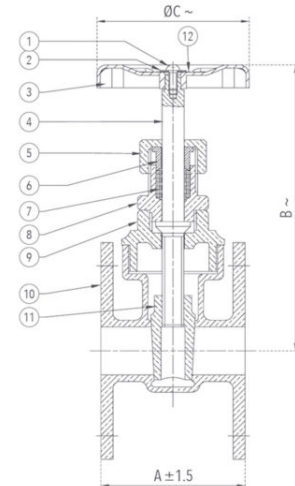
Water, Oil

\*Also available with Open-Shut Indicator and Locking Device, at a nominal extra price.



### Materials

P.No.	Name of Part	Material of Construction	Specification	Quantity
1	Screw / Bolt	Carbon Steel (Zinc Plated)	---	1
2	Washer	Carbon Steel (Zinc Plated)	---	1
3	Handwheel	Sheet Metal (Power Coated Paint)	---	1
4	Stem	Forged Brass	IS 6912 Gr. FLB	1
5	Gland Nut	Forged Brass	IS 6912 Gr. FLB	1
6	Gland	Forged Brass	IS 6912 Gr. FLB	1
7	Gland Packing	PTFE	---	-
8	Stuffing Box	Forged Brass	IS 6912 Gr. FLB	1
9	Bonnet	Forged Brass	IS 6912 Gr. FLB	1
10	Body	Bronze	IS 318 Gr. LTB 2	1
11	Wedge	Bronze	IS 318 Gr. LTB 2	1
12	Name Plate	Aluminium	---	1



### Sizes / Dimensions

Size (Inches)	Size (mm)	A ±1.5	B ~	ØC ~
1/2	15	72	105	60
3/4	20	76	117	65
1	25	90	132	70
1 1/4	32	100	140	80
1 1/2	40	110	172	90
2	50	120	190	110
2 1/2	65	140	214	115
3	80	150	268	140
4	100	190	323	160

~ ±10



## 1037 Bronze Vertical Check Valve (Screwed)



### Salient Features

- Screwed Female Ends to IS 554 / BS 21 / ISO 7.
- Single Piece Design.
- Meant for Vertical Lines Only.
- Permits flow in one direction and closes automatically if the flow reverses.
- Design Standard IS 778, Class-1.
- Also available with metal to metal seating.

Test Pressure (Hydrostatic) :

Shell : 1.5 MPa

Seat : 0.25 MPa

Maximum Working Temperature : 45°C

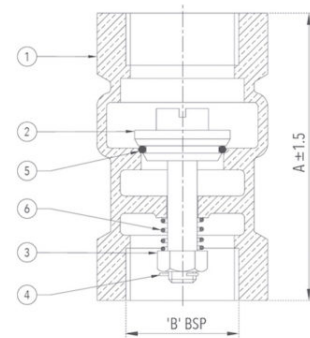
### Suitable For

Water, Oil




### Materials

P.No.	Name of Part	Material of Construction	Specification	Quantity
1	Body	Bronze	IS 318 Gr. LTB 2	1
2	Disc	Bronze	IS 318 Gr. LTB 2	1
3	Nut	Brass	IS 319 Gr. 2 (Half Hard)	1
4	Split Pin	Brass	---	1
5	'O' Ring	Nitrile Rubber	IS 5192 - 1	1
6	Spring	Stainless Steel	Type 304	1



### Sizes / Dimensions

Size (Inches)	Size (mm)	A ± 1.5	B
1/2	15	65	1/2"
3/4	20	70	3/4"
1	25	75	1"
1 1/4	32	85	1 1/4"
1 1/2	40	95	1 1/2"
2	50	110	2"

1038 Bronze Horizontal Check Valve (Screwed) 

**Salient Features**

- Screwed Female Ends to IS 554 / BS 21 / ISO 7.
- Screwed in Bonnet, meant for Horizontal Lines Only.
- Permits flow in one direction and shuts automatically if the flow reverses.
- Metal Disc is mushroom shaped with spherical seating surface.
- Disc is guided in Body as well as in Bonnet.
- Design Standard IS 778, Class-1.
- Also available with metal to metal seating.

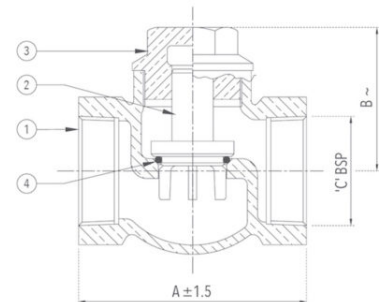
Test Pressure (Hydrostatic) :  
Shell : 1.5 MPa  
Seat : 0.25 MPa  
Maximum Working Temperature : 45°C

**Suitable For**  
Water, Oil



**Materials**

P.No.	Name of Part	Material of Construction	Specification	Quantity
1	Body	Bronze	IS 318 Gr. LTB 2	1
2	Disc	Bronze	IS 318 Gr. LTB 2	1
3	Bonnet	Bronze / Forged Brass	IS 318 Gr. LTB 2 / IS 6912 Gr. FLB	1
4	'O' Ring	Nitrile Rubber	IS 5192 - 1	1



**Sizes / Dimensions**

Size (Inches)	Size (mm)	A ±1.5	B ~	C
1/2*	15*	60	40	1/2"
3/4*	20*	70	45	3/4"
1*	25*	80	55	1"
1 1/4	32	95	59	1 1/4"
1 1/2	40	110	65	1 1/2"
2	50	125	74	2"
2 1/2	65	160	85	2 1/2"
3	80	180	105	3"
4	100	216	131	4"

~ ±10

\*Bonnet for Size 15, 20 and 25 is of Forged Brass.

## 1039 Bronze Horizontal Check Valve (Flanged)

### Salient Features

- Flanged Ends to IS 778.
- Screwed in Bonnet, meant for Horizontal Lines Only.
- Permits flow in one direction and closes automatically if the flow reverses.
- Metal Disc is mushroom shaped with spherical seating surface.
- Disc is guided in Body as well as in Bonnet.
- Design Standard IS 778, Class-1.
- Also available with metal to metal seating.

Test Pressure (Hydrostatic) :

Shell : 1.5 MPa

Seat : 0.25 MPa

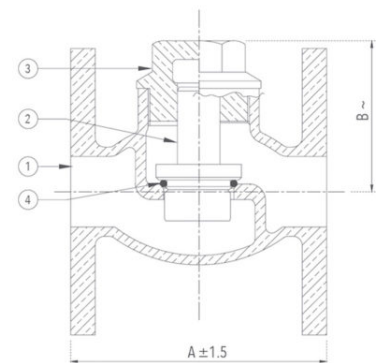
Maximum Working Temperature : 45°C

### Suitable For

Water, Oil

### Materials

P.No.	Name of Part	Material of Construction	Specification	Quantity
1	Body	Bronze	IS 318 Gr. LTB 2	1
2	Disc	Bronze	IS 318 Gr. LTB 2	1
3	Bonnet	Bronze / Forged Brass	IS 318 Gr. LTB 2 / IS 6912 Gr. FLB	1
4	'O' Ring	Nitrile Rubber	IS 5192 - 1	1



### Sizes / Dimensions

Size (Inches)	Size (mm)	A ±1.5	B ~
1/2*	15*	75	40
3/4*	20*	85	45
1*	25*	95	55
1 1/4	32	110	59
1 1/2	40	120	65
2	50	145	74
2 1/2	65	165	85
3	80	185	105
4	100	216	131

~ ±10

\*Bonnet for Size 15, 20 and 25 is of Forged Brass.

## 1040A Bronze Compact Pressure Reducing Valve (Screwed)

### Salient Features

- Screwed Female Ends to IS 554 / BS 21 / ISO 7.
- Piston operated, hence more reliable than conventional diaphragm type PRV.
- Compact size, easy to Install.
- Diaphragm-less, Piston Type.
- Demands low maintenance and virtually noiseless.
- Provided with Premium Quality Nitrile Rubber 'O'Rings.
- Facility provided to install a pressure gauge of 1/4" BSP size to gauge the critically relevant outlet pressure.
- Designed to suit every application requiring accurate pressure ratings.
- All 'O' rings are of superior food grade material, hence ensuring absolute zero health hazard.



Test Pressure (Hydrostatic) :

Shell : 35 bar

Maximum Upstream Pressure : 25 bar

Maximum Working Temperature : 80°C

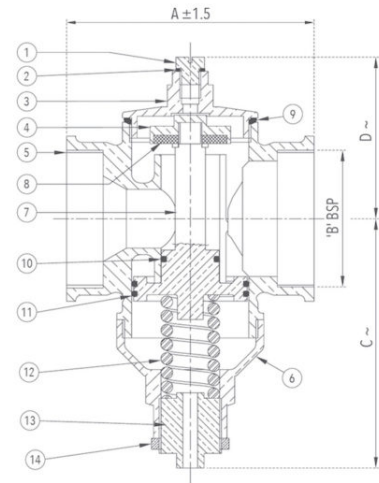
**NOTE :** At maximum inlet pressure 25 bar, the minimum outlet pressure will be 5.5 bar.

### Suitable For

Water

### Materials

P.No.	Name of Part	Material of Construction	Specification	Quantity
1	Plug	Forged Brass	IS 6912 Gr. FLB	1
2	O - Ring	Nitrile Rubber	IS 5192 - 1	1
3	Bonnet	Bronze	IS 318 Gr. LTB 2	1
4	Disc Holder	Bronze	IS 318 Gr. LTB 2	1
5	Body	Bronze	IS 318 Gr. LTB 2	1
6	Chamber	Bronze	IS 318 Gr. LTB 2	1
7	Piston	Bronze	IS 318 Gr. LTB 2	1
8	Disc	Nitrile Rubber	IS 5192 - 1	1
9	Gasket	PTFE	- - -	1
10	O - Ring	Nitrile Rubber	IS 5192 - 1	1
11	O - Ring	Nitrile Rubber	IS 5192 - 1	1
12	Spring	Spring Steel	EN 47 Gr. B	1
13	Adjustable Ring	Bronze	IS 318 Gr. LTB 2	1
14	Locking Ring	Bronze	IS 318 Gr. LTB 2	1



### Sizes / Dimensions

Size (Inches)	Size (mm)	A ±1.5	B	C ~	D ~
2 1/2	65	135	2 1/2"	130	87
3	80	160	3"	150	101
4	100	160	4"	162	115

~ ±10

## 1040B Forged Brass Compact Pressure Reducing Value (Screwed)

### Salient Features

- Screwed Female Ends to IS 554 / BS 21 / ISO 7.
- Most ideal for sensitive and a consistent fluid regulation.
- Diaphragm-less, Piston Type.
- Piston-operated, hence more reliable than conventional diaphragm type PRV.
- Rugged body, compact-sized, easy to install.
- Provided with Premium Quality Nitrile Rubber 'O'Rings.
- Demands low maintenance and virtually noiseless.
- Most of the critical working components have a distinct edge of being hot brass forged.
- Facility provided to install a Pressure Gauge of 1/4" BSP size to gauge the critically relevant Outlet Pressure.
- Designed to suit every application requiring accurate pressure ratings.
- All 'O' rings are of superior food grade material, hence ensuring absolute zero health hazard.



Test Pressure (Hydrostatic) :

Shell : 35 bar

Maximum Upstream Pressure : 25 bar

Maximum Working Temperature : 80°C

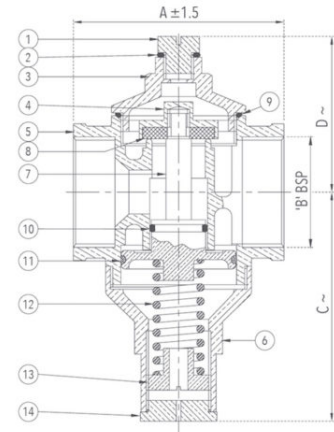
**NOTE** : At maximum inlet pressure 25 bar, the minimum outlet pressure will be 5.5 bar.

### Suitable For

Water

### Materials

P.No.	Name of Part	Material of Construction	Specification	Quantity
1	Plug	Forged Brass	IS 6912 Gr. FLB	1
2	O - Ring	Nitrile Rubber	IS 5192 - 1	1
3	Bonnet	Forged Brass	IS 6912 Gr. FLB	1
4	Disc Holder	Forged Brass	IS 6912 Gr. FLB	1
5	Body	Forged Brass	IS 6912 Gr. FLB	1
6	Chamber	Forged Brass	IS 6912 Gr. FLB	1
7	Piston	Forged Brass / Bronze	IS 6912 Gr. FLB / IS 318 Gr. LTB 2	1
8	Disc	Nitrile Rubber	IS 5192 - 1	1
9	O - Ring	Nitrile Rubber	IS 5192 - 1	1
10	O - Ring	Nitrile Rubber	IS 5192 - 1	1
11	O - Ring	Nitrile Rubber	IS 5192 - 1	1
12	Spring	Spring Steel	EN 47 Gr. B	1
13	Adjustable Ring	Forged Brass	IS 6912 Gr. FLB	1
14	CAP	PVC	IS 15225	1



### Sizes / Dimensions

Size (Inches)	Size (mm)	A ±1.5	B	C ~	D ~
1/2	15	62	1/2"	68	44
3/4	20	62	3/4"	68	44
1	25	86	1"	93	61
1 1/4	32	91	1 1/4"	99	65
1 1/2	40	91	1 1/2"	99	65
2	50	91	2"	101	71

~ ±10

## 1078 Butterfly Valve (Wafer Type) PN 1.6 with S.G Iron Disc



### Salient Features

- Design Standard IS 13095 / BS EN 593 (BS 5155).
- Wafer Type.
- Lever Operated.
- S.G Iron construction.
- S.G Iron disc which is accurately guided between the two stems.
- Integrally moulded rubber lining (EPDM / Nitrile / Neoprene\* / Viton\* / Silicon\*) as per requirement which provides seating to the valve disc, as a primary seal to the stem and gasket joint with matching pipe flanges.
- Two Piece Stem design which is precisely guided between the PTFE / Bronze bushes.
- Compatible to sandwich between flanges as per BS 10 Table D, E, F,H, DIN, PN 10, PN 16, PN 25, PN 40, ASA 150, ASA 300, IS 778, IS 6392 Table 17 and IS 1538.



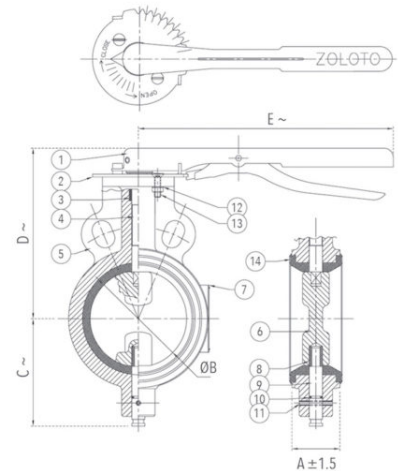
\*Valves with Neoprene / Viton / Silicon lining can also be provided at nominal extra cost.

PN 1.6 -  
Test Pressure (Hydrostatic) :  
Shell : 2.4 MPa  
Seat : 1.76 MPa  
Maximum Working Temperature : 90°C  
Maximum Working Pressure : 1.6 MPa

**Suitable For**  
Water

### Materials

P.No.	Name of Part	Material of Construction	Specification	Qty.
1	Flow Control Lever	Carbon Steel (Powder Coated)	---	1
2	Notch Plate	Carbon Steel (Powder Coated)	---	1
3	Packing Bush	PTFE	---	1
4	Upper Stem	Stainless Steel	IS 6603 Gr. 12 Cr12	1
5	Body	S.G Iron	IS 1865 Gr. 400/15	1
6	Disc	S.G Iron (Epoxy Coated)	IS 1865 Gr. 400/15	1
7	Name Plate	Aluminium	---	1
8	Bush	PTFE / Bronze	--- / IS 318 Gr. LTB 2	1
9	Lower Stem	Stainless Steel	IS 6603 Gr. 12 Cr12	1
10	'O' Ring	Nitrile Rubber	IS 5192 - 1	1
11	L - Key Screw	Carbon Steel	---	1
12	C - Sunk Screw & Nuts	Carbon Steel	---	2 Each
13	Locking Washer	Spring Steel	---	2
14	Body Lining	EPDM / Nitrile	IS 5192 - 1	1



### Sizes / Dimensions

Size (Inches)	Size (mm)	A ±1.5	ØB	C ~	D ~	E ~
1 1/2	40	33	40.6	57	113	260
2	50	43	52.4	73	125	260
2 1/2	65	46	67	80	140	260
3	80	46	81.3	88	145	260
4	100	52	101	110	178	260
5	125	56	127.1	122	190	260
6*	150*	56	151	151	204	260

~ ±10

\*Bush for Size 150 is of Bronze.

**NOTE :** Valves are also available with limit switch (Non-ISI), Pad lock arrangement and gear arrangement at nominal extra cost.

## 1078A Butterfly Valve (Wafer Type) PN 1.6 with S.G Iron Disc - Gear Operated

### Salient Features

- Design Standard IS 13095 / BS EN 593 (BS 5155).
- Wafer Type.
- Gear Operated.
- S.G Iron construction.
- S.G Iron disc which is accurately guided between the two stems.
- Integrally moulded rubber lining (EPDM / Nitrile / Neoprene\* / Viton\* / Silicon\*) as per requirement which provides seating to the valve disc, as a primary seal to the stem and gasket joint with matching pipe flanges.
- Two Piece Stem design which is precisely guided between the PTFE / Bronze bushes.
- Compatible to sandwich between flanges as per BS 10 Table D, E, F,H, DIN, PN 10, PN 16, PN 25, PN 40, ASA 150, ASA 300, IS 778, IS 6392 Table 17 and IS 1538.



\*Valves with Neoprene / Viton / Silicon lining can also be provided at nominal extra cost.

PN 1.0 -

Test Pressure (Hydrostatic) :

Shell : 1.5 MPa

Seat : 1.1 MPa

Maximum Working Pressure : 1.0 MPa

Maximum Working Temperature : 90°C

PN1.6 -

Test Pressure (Hydrostatic) :

Shell : 2.4 MPa

Seat : 1.76 MPa

Maximum Working Pressure : 1.6 MPa

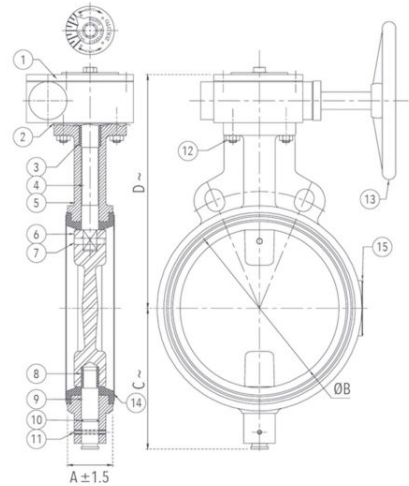
Maximum Working Temperature : 90°C

### Suitable For

Water

### Materials

P.No.	Name of Part	Material of Construction	Specification	Qty.
1	Gear Box Assembly	---	---	1
2	Gasket	Steam Jointing Sheet	IS2712 Gr. W/3	1
3	Packing Bush	Bronze	IS 318 Gr. LTB 2	1
4	Upper Stem	Stainless Steel	IS 6603 Gr. 12 Cr12	1
5	Body	S.G Iron	IS 1865 Gr. 400/15	1
6	Disc	S. G Iron (Epoxy Coated)	IS 1865 Gr. 400/15	1
7	Taper Pin (Optional)	Stainless Steel	IS 6603 Gr. 12 Cr12	1
8	Bush	Bronze	IS 318 Gr. LTB 2	1
9	Lower Stem	Stainless Steel	IS 6603 Gr. 12 Cr12	1
10	'O' Ring	Nitrile Rubber	IS 5192 - 1	1
11	L- Key Screw	Carbon Steel	---	1
12	C - Sunk Screw & Nuts	Carbon Steel	---	4 Each
13	Handwheel	Sheet Metal	---	1
14	Body Lining	EPDM / Nitrile	IS 5192 - 1	1
15	Name Plate	Aluminium	---	1



### Sizes / Dimensions

Size (Inches)	Size (mm)	A	ØB	C ~	D ~
8	200	60 ±1.5	201.6	180	295
10	250	68 ±1.5	252.2	220	320
12	300	78 ±1.5	301.3	250	344
14 <sup>#</sup>	350	85 ±3	352	280	380
16 <sup>#</sup>	400	96 ±3	393.8	300	410



Size (Inches)	Size (mm)	A	ØB	C ~	D ~
18 <sup>#</sup>	450	108 ±3	442	330	466
20 <sup>#</sup>	500	127 ±4	504.2	415	600
24 <sup>#</sup>	600	146.5 ±4	593	440	610

~ ±10

# Non-ISI with Pressure Rating PN-1.0

**Note :** Valves are also available with limit switch (Non-ISI) and Pad lock arrangement at nominal extra cost.

## 1078B Butterfly Valve (Wafer Type), PN 1.6 with S.S 304 Disc



### Salient Features

- Design Standard IS 13095 / BS EN 593 (BS 5155).
- Wafer Type.
- Lever Operated.
- S.G Iron construction.
- Stainless Steel (CF8 / CF8M\*) Disc which is accurately guided between the two stems.
- Integrally moulded rubber lining (EPDM / Nitrile / Neoprene\* / Viton\* / Silicon\*) as per requirement which provides seating to the valve disc, as a primary seal to the stem and gasket joint with matching pipe flanges.
- Two Piece Stem design which is precisely guided between the PTFE / Bronze bushes.
- Compatible to sandwich between flanges as per BS 10 Table D, E, F,H, DIN, PN 10, PN 16, PN 25, PN 40, ASA 150, ASA 300, IS 778, IS 6392 Table 17 and IS 1538.

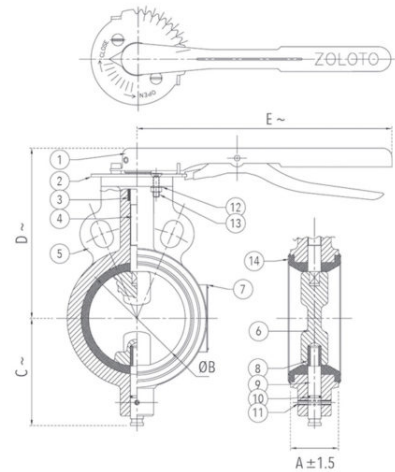
\*Valves with Neoprene / Viton / Silicon lining and CF8M (S.S 316) Disc can also be provided at nominal extra cost.

PN 1.6 -  
Test Pressure (Hydrostatic) :  
Shell : 2.4 MPa  
Seat : 1.76 MPa  
Maximum Working Pressure : 1.6 MPa  
Maximum Working Temperature : 90°C

**Suitable For**  
Water

### Materials

P.No.	Part Name	Material	Specification	Qty.
1	Flow Control Lever	Carbon Steel (Powder Coated)	---	1
2	Notch Plate	Carbon Steel (Powder Coated)	---	1
3	Packing Bush	PTFE	---	1
4	Upper Stem	Stainless Steel	IS 6603 Gr. 12 Cr12	1
5	Body	S.G. Iron	IS 1865 Gr. 400/15	1
6	Disc	Stainless Steel	IS 3444 Gr. 1 / ASTM A 351 Gr. CF8	1
7	Name Plate	Aluminium	---	1
8	Bush	PTFE/Bronze	--- / IS 318 Gr. LTB 2	1
9	Lower Stem	Stainless Steel	IS 6603 Gr. 12 Cr12	1
10	'O' Ring	Nitrile Rubber	IS 5192 - 1	1
11	L - Key Screw	Carbon Steel	---	1
12	C - Sunk Screw & Nuts	Carbon Steel	---	2 Each
13	Locking Washer	Spring Steel	---	2
14	Boby Lining	EPDM/Nitrile	IS 5192 - 1	1



### Sizes / Dimensions

Size (Inches)	Size (mm)	A ±1.5	ØB	C~	D~	E~
1 1/2	40	33	40.6	57	113	260
2	50	43	52.4	73	125	260
2 1/2	65	46	67	80	140	260
3	80	46	81.3	88	145	260
4	100	52	101	110	178	260
5	125	56	127.1	122	190	260
6*	150*	56	151	151	204	260

~ ±10

\*Bush for Size 150 is of Bronze.

**NOTE :** Valves are also available with limit switch (Non-ISI), Pad lock arrangement and gear arrangement at nominal extra cost.

## 1078C Butterfly Valve (Wafer Type), PN 1.6 with S.S 304 Disc - Gear Operated

### Salient Features

- Design Standard IS 13095 / BS EN 593 (BS 5155).
- Wafer Type.
- Gear Operated.
- S.G Iron construction.
- Stainless Steel (CF8 / CF8M\*) Disc which is accurately guided between the two stems.
- Integrally moulded rubber lining (EPDM / Nitrile / Neoprene\* / Viton\* / Silicon\*) as per requirement which provides seating to the valve disc, as a primary seal to the stem and gasket joint with matching pipe flanges.
- Two Piece Stem design which is precisely guided between the PTFE / Bronze bushes.
- Compatible to sandwich between flanges as per BS 10 Table D, E, F,H, DIN, PN 10, PN 16, PN 25, PN 40, ASA 150, ASA 300, IS 778, IS 6392 Table 17 and IS 1538.

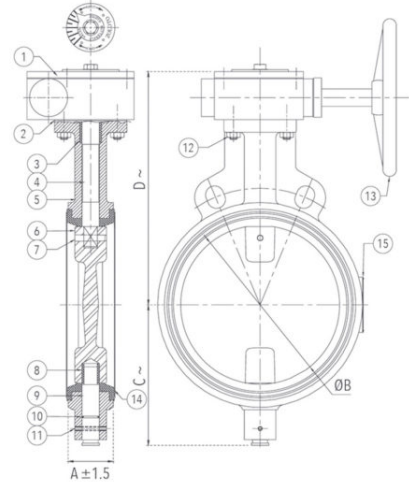
\*Valves with Neoprene / Viton / Silicon lining and CF8M (S.S 316) Disc can also be provided at nominal extra cost.

PN 1.6 -  
Test Pressure (Hydrostatic) :  
Shell : 2.4 MPa  
Seat : 1.76 MPa  
Maximum Working Pressure : 1.6 MPa  
Maximum Working Temperature : 90°C

**Suitable For**  
Water

### Materials

P.No.	Name of Part	Material of Construction	Specification	Qty.
1	Gear Box Assembly	---	---	1
2	Gasket	Steam Jointing Sheet	IS2712 Gr. W/3	1
3	Packing Bush	Bronze	IS 318 Gr. LTB 2	1
4	Upper Stem	Stainless Steel	IS 6603 Gr. 12 Cr12	1
5	Body	S.G Iron	IS 1865 Gr. 400/15	1
6	Disc	Stainless Steel	IS 3444 Gr. 1 / ASTM A 351 Gr. CF8	1
7	Name Plate	Aluminium	---	1
8	Bush	Bronze	IS 318 Gr. LTB 2	1
9	Lower Stem	Stainless Steel	IS 6603 Gr. 12 Cr12	1
10	'O' Ring	Nitrile Rubber	IS 5192 - 1	1
11	L - Key Screw	Carbon Steel	---	1
12	C - Sunk Screw & Nuts	Carbon Steel	---	4 Each
13	Handwheel	Sheet Metal	---	1
14	Body Lining	EPDM / Nitrile	IS 5192 - 1	1



### Sizes / Dimensions

Size (Inches)	Size (mm)	A ±1.5	ØB	C ~	D ~
8	200	60	201.6	180	295
10	250	68	252.2	220	320
12	300	78	301.3	250	344

~ ±10

**Note :** Valves are also available with limit switch (Non-ISI) and Pad lock arrangement at nominal extra cost.

## 1078D Butterfly Valve (Wafer Type), PN 1.0 with Pneumatic Actuator

### Salient Features

- Design Standard IS 13095 / BS EN 593 (BS 5155).
- Wafer Type.
- Double Acting Pneumatic Actuator Operated.
- S.G Iron construction.
- Stainless Steel (CF8 / CF8M\*) Disc which is accurately guided between the two stems.
- Actuator is with position indicator and adjustable center stopper for both open and closed position.
- Scotch Yoke Technology as the most suitable mechanism for valve and damper operation, producing higher torque at both end positions.
- Actuator is without Rack and Pinion for smooth operation and longer life.
- Integrally moulded rubber lining (EPDM / Nitrile / Neoprene\* / Viton\* / Silicon\*) as per requirement which provides seating to the valve disc, as a primary seal to the stem and gasket joint with matching pipe flanges.
- Two Piece Stem design which is precisely guided between the PTFE / Bronze bushes.
- Compatible to sandwich between flanges as per BS 10 Table D, E, F,H, DIN, PN 10, PN 16, PN 25, PN 40, ASA 150, ASA 300, IS 778, IS 6392 Table 17 and IS 1538.



\*Valves with Neoprene / Viton / Silicon lining and CF8M (S.S 316) Disc can also be provided at nominal extra cost.

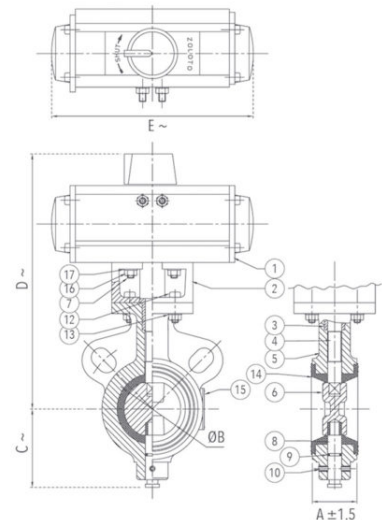
PN 1.0 -  
Test Pressure (Hydrostatic) :  
Shell : 1.5 MPa  
Seat : 1.1 MPa  
Maximum Working Pressure : 1.0 MPa  
Maximum Working Temperature : 90°C

### Suitable For

Water

### Materials

P.No.	Name of Part	Material of Construction	Specification	Qty.
1	Pneumatic Actuator	---	---	1
2	Actuator Base	Carbon Steel	---	1
3	Packing Bush	Bronze	IS 318 Gr. LTB 2	1
4	Upper Stem	Stainless Steel	IS 6603 Gr. 12 Cr12	1
5	Body	S.G Iron	IS 1865 Gr. 400/15	1
6	Disc	Stainless Steel	IS 3444 Gr. 1 / ASTM A 351 Gr. CF8	1
7	Studs for Actuator	Carbon Steel	---	1
8	Bush	Bronze	IS 318 Gr. LTB 2	1
9	Lower Stem	Stainless Steel	IS 6603 Gr. 12 Cr12	1
10	'O' Ring	Nitrile Rubber	IS 5192 - 1	1
11	L - Key Screw	Carbon Steel	---	1
12	L - Key Bolts & Nuts	Carbon Steel	---	4 Each
13	Locking Washer	Spring Steel	---	1
14	Body Lining	EPDM / Nitrile	IS 5192 - 1	1
15	Name Plate	Aluminium	---	4
16	Nuts	Carbon Steel	---	4
17	Spring Washer	Spring Steel	---	4



### Sizes / Dimensions

Size (Inches)	Size (mm)	A ±1.5	ØB	C ~	D ~	E ~	Actuator Model No.
1 1/2	40	33	40.6	57	223	185	PD 50
2	50	43	52.4	73	235	185	PD 50
2 1/2	65	46	67	80	250	185	PD 50

Size (Inches)	Size (mm)	A ±1.5	ØB	C ~	D ~	E ~	Actuator Model No.
3	80	46	81.3	88	258	185	PD 50
4	100	52	101	110	306	250	PD 70
6	150	56	151	151	340	250	PD 70
8	200	60	201.6	180	445	350	PD 100

~ ±10

**Note :** Valves are also available with Solenoid device and Limit Switch (Position Indicator) at nominal extra cost.

## 1078E Butterfly Valve (Wafer Type) with Limit Switch

### Salient Features

- Design Standard BS 5155 and IS 13095.
- Wafer Type.
- Limit Switch.
- Compatible to be inserted between flanges as per BS 10 Table D, E, F,H, DIN, PN10, PN16, PN25, PN40, ASA 150, ASA 300, IS 778, IS 6392 Table 17 and IS 1538.

Maximum Working Temperature : 90°C Maximum Working Pressure : 10 bar Shell Test Pressure (Hydrostatic) : 15 bar Seat Test Pressure (Hydrostatic) : 11 bar

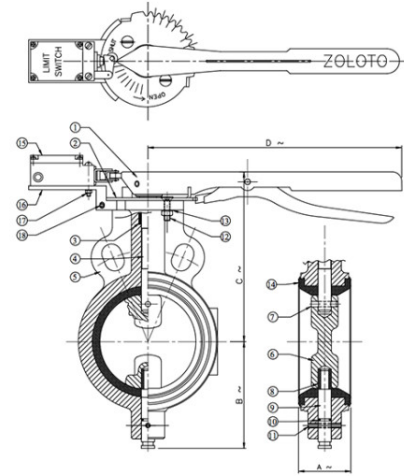
Photo Not Available

### Suitable For

Water

### Materials

P.No.	Name of Part	Material of Construction	Specification	Qty.
1	Flow Control Lever	Carbon Steel	IS 2062	1
2	Locking Guide Plate	Carbon Steel	IS 2062	1
3	Packing Bush	PTFE / Bronze	BSEN 12086 / IS 318 Gr. LTB2	1
4	Upper Stem	Stainless Steel	ASTM A276 Type 410	1
5	Body	S.G. Iron	ASTM A536	1
6	Disc	S.G. Iron / Stainless Steel	ASTM A536 / ASTM A315 Gr. CF8 / CF8M	1
7	Taper Pin	Stainless Steel	ASTM A276 Type 410	1
8	Bush	PTFE / Bronze	BSEN 12086 / IS 318 Gr. LTB2	1
9	Lower Stem	Stainless Steel	ASTM A276 Type 410	1
10	'O' Ring	Nitrile Rubber	IS 5192-1	1
11	Dowel Pin	Carbon Steel	IS 2062	1
12	C-Sunk Screw & Nuts	Carbon Steel	IS 1367	2 Each
13	Locking Washer	Spring Steel	---	2
14	Body Lining	EPDM/ Nitrile	IS 5192-1	1
15	Limit Switch	---	---	1
16	Bracket	Cast Iron	IS 210 Gr. FG 200	1
17	Screw & Nut	Carbon Steel	IS 1367	2 Each
18	L-Key Screw	Carbon Steel	---	2



### Sizes / Dimensions

Size (Inches)	Size (mm)	A	B	C	D
1 1/2"	40	37	55	113	260
2	50	43	75	125	260
2 1/2	65	46	80	140	260
3	80	48	85	145	260
4	100	52	110	178	260
5	125	56	122	190	260
6	150	56	144	204	260

## 1078F Butterfly Valve (Wafer Type), PN 1.0 with Electrical Actuator

### Salient Features

- Design Standard IS 13095 / BS EN 593 (BS 5155).
- Wafer Type.
- Electrical Acuator Operated.
- S.G Iron construction.
- Stainless Steel (CF8 / CF8M\*) Disc which is accurately guided between the two stems.
- Actuator is with position indicator and adjustable center stopper for both open and closed position.
- Compliant with B.M.S (Building Management System) and PLC (Programmable Logic Control).
- Inbuilt thermal protection and space heater
- IP 67 / IP 68 protection available for outdoor application.
- Inbuilt micro switch position feedback.
- Input Voltage - 230 VAC/24 VDC\* power supply.
- Integrally moulded rubber lining (EPDM / Nitrile / Neoprene\* / Viton\* / Silicon\*) as per requirement which provides seating to the valve disc, as a primary seal to the stem and gasket joint with matching pipe flanges.
- Two Piece Stem design which is precisely guided between the PTFE / Bronze bushes.
- Compatible to sandwich between flanges as per BS 10 Table D, E, F,H, DIN, PN 10, PN 16, PN 25, PN 40, ASA 150, ASA 300, IS 778, IS 6392 Table 17 and IS 1538.
- For manual operation allen key is provided.
- Instrumental in Zero Water Waste installations.



\*Valves with Neoprene / Viton / Silicon lining, IS 3444 Gr.4 /CF8M (S.S 316) Disc and 24VDC Input Voltage can also be provided at nominal extra cost.

PN 1.0 -  
Test Pressure (Hydrostatic) :  
Shell : 1.5 MPa  
Seat : 1.1 MPa  
Maximum Working Pressure : 1.0 MPa  
Maximum Working Temperature : 90°C

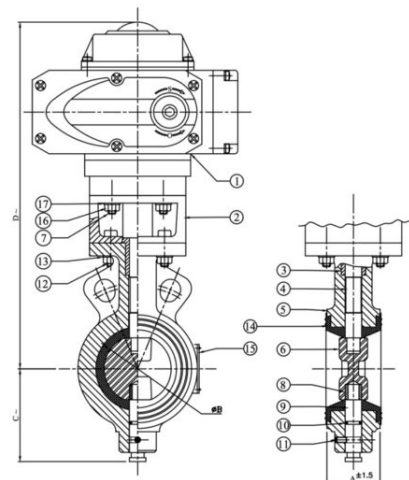
Important Note : Advised to use canopy for enhanced protection from continuous weather exposure.

### Suitable For

Water

### Materials

P.No.	Name of Part	Material of Construction	Specification	Qty.
1	Electric Actuator	---	---	1
2	Actuator Base	S.G. Iron	IS 1865 Gr. 400/15	1
3	Packing Bush	Bronze	IS 318 Gr. LTB 2	1
4	Upper Stem	Stainless Steel	IS 6603 Gr. 12 Cr12	1
5	Body	S.G Iron	IS 1865 Gr. 400/15	1
6	Disc	Stainless Steel	IS 3444 Gr. 1 / ASTM A351 Gr. CF8	1
7	Studs for Actuator	Carbon Steel	IS 1367	4
8	Bush	Bronze	IS 318 Gr. LTB 2	1
9	Lower Stem	Stainless Steel	IS 6603 Gr. 12 Cr12	1
10	'O' Ring	Nitrile Rubber	IS 5192 - 1	1
11	L - Key Screw	Carbon Steel	---	1
12	L-Key Bolts & Nuts	Carbon Steel	---	4 Each
13	Locking Washer	Spring Steel	---	4 Each
14	Body Lining	EPDM / Nitrile	IS 5192 - 1	1
15	Name Plate	Aluminium	---	1
16	Nuts	Carbon Steel	IS 1363 Part 3 Class 4.0	4
17	Spring Washer	Spring Steel	---	4





## Sizes / Dimensions

Size (Inches)	Size (mm)	A ±1.5	ØB	C ~	D ~	Actuator Model No.
1 1/2	40	33	40.6	57	283	ZSY 1
2	50	43	52.4	73	293	ZSY 1
2 1/2	65	46	67	80	306	ZSY 1
3	80	46	81.3	88	313	ZSY 1
4	100	52	101	110	341	ZSY 1
5	125	56	127.1	122	342	ZSY 2
6	150	56	151	151	370	ZSY 2
8	200	60	201.6	180	427	ZSY 2
10	250	68	252.2	220	516	ZSY 4
12	300	78	301.3	250	540	ZSY 4
14	350	86	352	295	610	ZSY 6

~ ±10

**Note :** Valves are also available with Control Panel, Magnetic Sensor for automated tank filling.

## 1084 Cast Iron Y-Type Strainer PN 10 (Flanged)

### Salient Features

- Flanged Ends to BS 10 Table 'F'.
- Stainless Steel (S.S 304) perforated sheet screen (Ø3 mm Perforation) is guided in body and cover.
- Large screening area makes the strainer efficient in performance.
- Minimum pressure drop inside the body due to streamlined body contours.

Test Pressure (Hydrostatic) :

Shell : 15 kg/cm<sup>2</sup>g (220 psig)

Maximum Working Pressure : 10 kg/cm<sup>2</sup>g (150 psig)

Maximum Working Temperature : 220°C

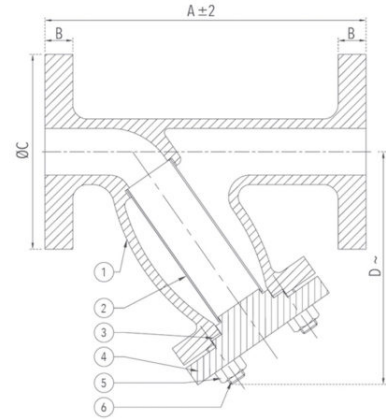
### Suitable For

Water



### Materials

P.No.	Name of Part	Material of Construction	Specification	Qty.
1	Body	Cast Iron	IS 210 Gr. FG 200	1
2	Screen (Ø3 mm Perforation)	Stainless Steel	Type 304	1
3	Gasket	Rubber	IS 638 Type B	1
4	Bonnet	Cast Iron	IS 210 Gr. FG 200	1
5	Nuts	Carbon Steel	---	As Reqd.
6	Studs	Carbon Steel	---	As Reqd.



### Sizes / Dimensions

Size (Inches)	Size (mm)	A ± 2	B + 3	ØC + 3	D ~
1 1/2	40	165	16	140	152
2	50	180	19	165	175
2 1/2	65	206	19	184.5	180
3	80	260	19	203.2	238
4	100	295	22.2	228.6	250
5	125	385	25.4	279.4	320
6	150	385	25.4	305	320
8	200	525	28.6	368.3	395
10	250	700	28.6	431.8	515
12	300	750	31.8	489	570
14	350	850	35	552.5	620

~ ±10

**Note :** Strainers are also available with Magnet at a nominal extra cost.

## 1095 Forged Brass Air Release Valve (Screwed)

### Salient Features

- Screwed male end as per IS 554 / BS 21 / ISO 7.
- Chrome plated forged brass body and cover.
- Full bore.
- Sleek in design, ease of installation.
- Handy device used to release entrapped air in any piping system.
- Smooth inner valves reduce pressure loss.
- Maintains system flow efficiency.
- Brilliant aesthetic look.
- Ergonomic design.

Test Pressure (Hydrostatic) :

Shell : 15 bar (220 psig)

Seat : 10 bar(150 psig)

Maximum Working Temperature : 110°C

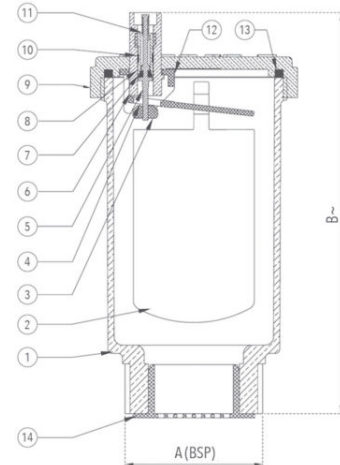


### Suitable For

Water

### Materials

P.No.	Name of Part	Material of Construction	Specification	Qty.
1	Body	Forged Brass (Chrome Plated)	IS 6912 Gr. FLB	1
2	Float	Polypropylene	---	1
3	Lock	Polypropylene	---	1
4	Hing	Polypropylene	---	1
5	Seat	Forged Brass	IS 6912 Gr. FLB	1
6	Chamber	Forged Brass	IS 6912 Gr. FLB	1
7	Ring	Nitrile Rubber	IS 5192 - 1	1
8	Valve	Brass	IS 319 Gr. 2	1
9	Cover	Forged Brass (Chrome Plated)	IS 6912 Gr. FLB	1
10	Ring	Nitrile Rubber	IS 5192 - 1	1
11	Spring	Stainless Steel	Type 304	1
12	Bracket	Polypropylene	---	1
13	'O' Ring	Nitrile Rubber	IS 5192 - 1	1
14	Strainer	Plastic	---	1



### Sizes / Dimensions

Size (Inches)	Size (mm)	A	B ~
1/2	15	1/2"	75
3/4	20	3/4"	95
1	25	1"	97

~ ±10